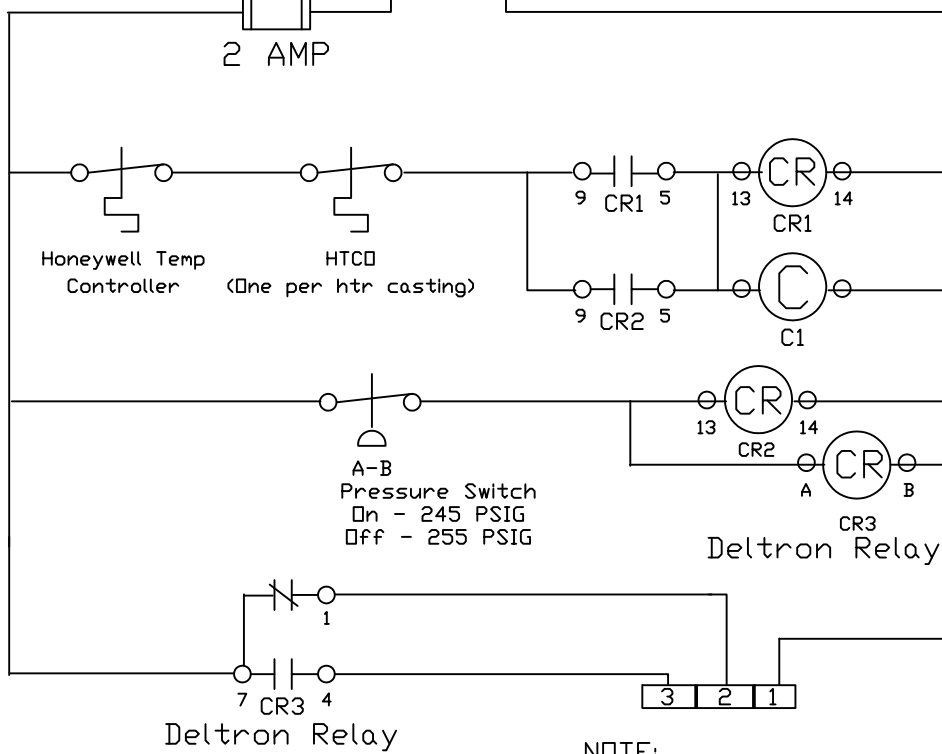


Control Transformer
Micron P/N
B150BTZ13RB

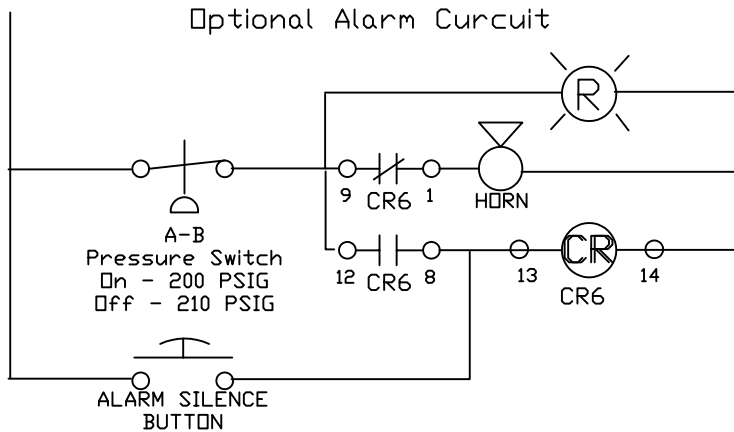
FU1 & FU2
1 1/2 Amp, 220 Volt
1 Amp, 440 Volt



NOTE:

60KW, 90KW heaters have two contactors and an additional temperature controller. See element wiring diagram for bussing details.

Optional Alarm Curcuit



NO.	DESCRIPTION	DATE
3	Changed Acuator	12.14.01

REVISIONS
DRN BY: J.W.W.
CAD BY:
SCALE: NONE
DATE: 10.8.98
VAP-527-24

Carbo Tech, Inc.
EQUIPMENT

P.O. Box 1938 --- Morrow, Georgia 30065
8, 15, 30, 45, 60KW Cast Pressure Build Vaporizer Control Wiring Diagram