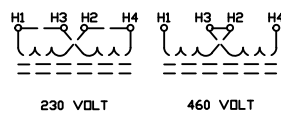
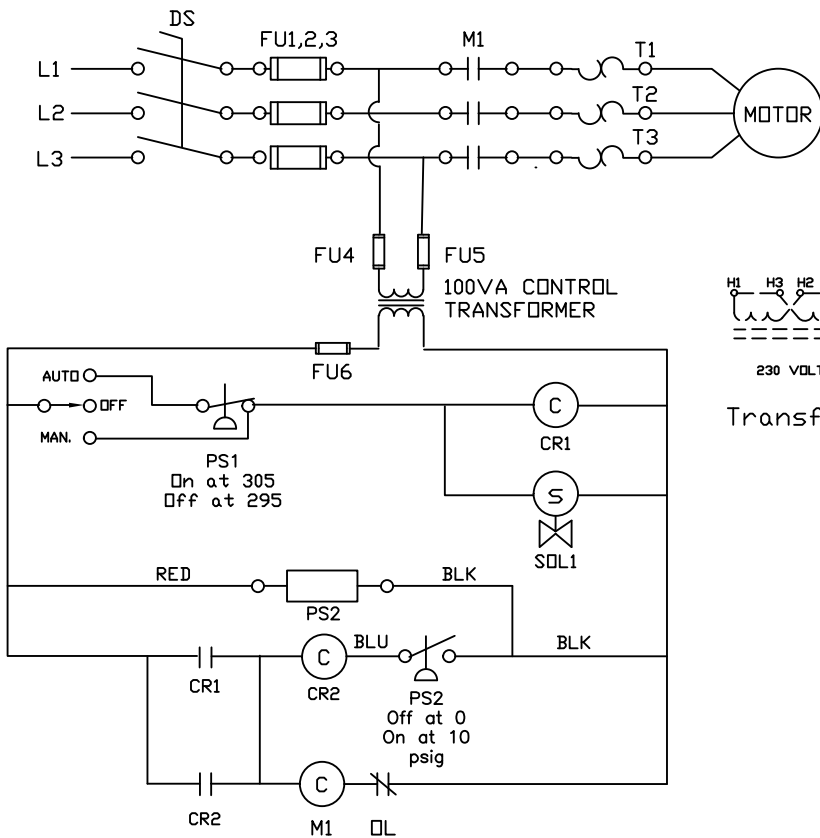


CUTLER HAMMER ELECTRIC PANEL
P/N ECN1612AHC



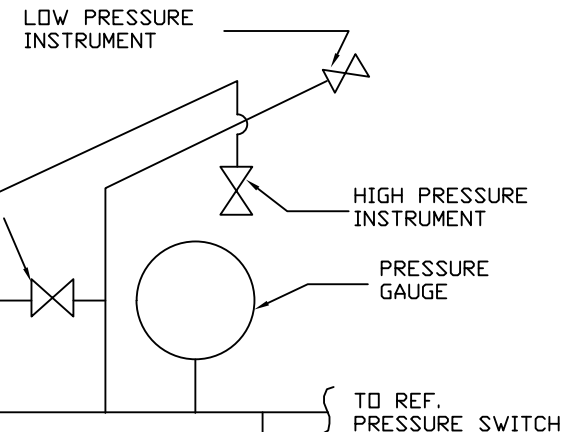
Transformer Wiring

LIQUID LEVEL GAUGE

TO VAPORIZER WHEN INSTALLED

INSTRUMENT BLOWDOWN

Instrument Piping



Electrical Schematic

| | |
|---------|--|
| SOL1 | E6S130,140 / E10S250 SOLENOID VALVE |
| - | B100BTZ13RB MICRON CONTROL TRANSFORMER |
| CR1,2 | RH1B IDEC CONTROL RELAY |
| PS2 | REFRIGERANT PRESSURE CONTROL |
| PS1 | A-B PRESSURE SWITCH P/N 836-A4 |
| FU6 | FNM-2 FUSE |
| FU4,5 | 240V.-KTK-R-1 / 460V.-KTK-R-1/2 FUSE |
| FU1,2,3 | 600V. FUSES, SIZED ACCORDING TO LOAD |
| LEGEND | |

Electronic Control Module

Carbo Tech, Inc.
EQUIPMENT

P.O. Box 1938 -- Monroe, Georgia 30655

3,4,6 HP Refrigeration Systems
Carbon Dioxide Storage Unit
Electrical-Instrument Piping

DRN BY: J.W.W.

SCALE: NONE

CKD BY:

DATE: 5.24.2013

| NO. | DESCRIPTION | DATE |
|-----------|-------------|------|
| REVISIONS | | |

CAR-953-24