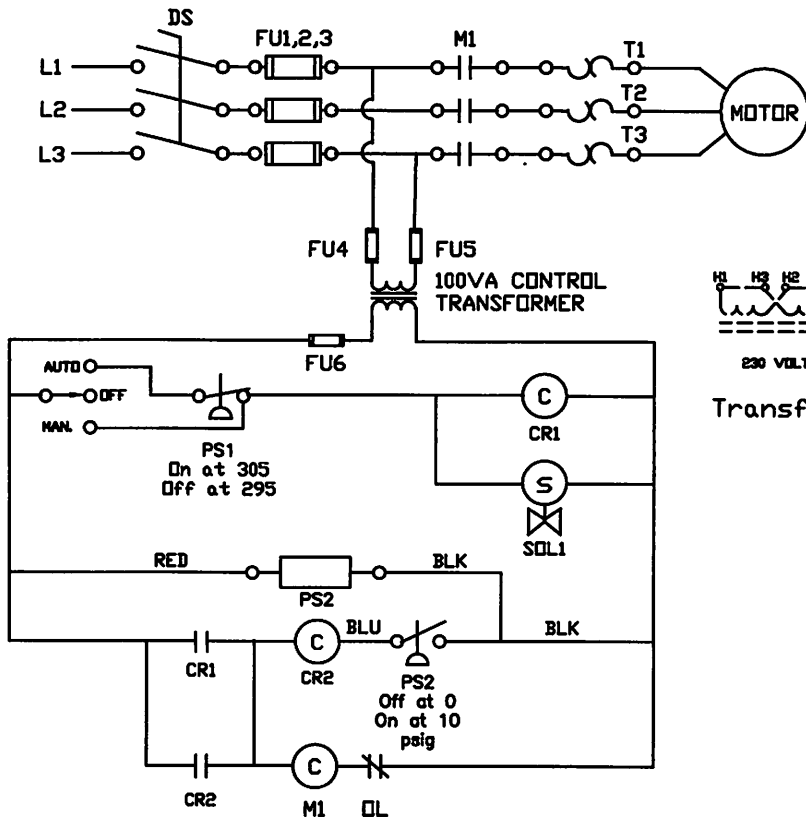


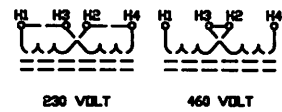
CUTLER HAMMER ELECTRIC PANEL
P/N ECN1612AHC



Electrical Schematic

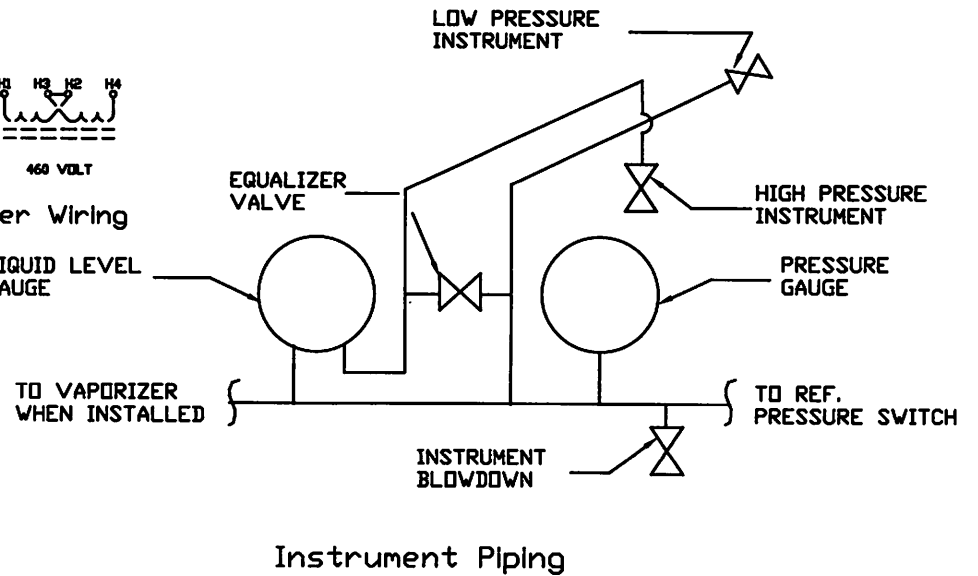
SOL1	E6S130.140 / E10S250 SOLENOID VALVE
-	B100BTZ13RB MICRON CONTROL TRANSFORMER
CR1,2	RH1B IDEC CONTROL RELAY
PS2	REFRIGERANT PRESSURE CONTROL
PS1	A-B PRESSURE SWITCH P/N 836-A4
FU6	FNM-2 FUSE
FU4,5	240V.-KTK-R-1 / 460V.-KTK-R-1/2 FUSE
FU1,2,3	600V. FUSES, SIZED ACCORDING TO LOAD

LEGEND



Transformer Wiring

LIQUID LEVEL GAUGE



Instrument Piping

Electronic Control Module

Carbo Tech, Inc.
EQUIPMENT

P.O. Box 1838 -- Monroe, Georgia 30655
1 1/3 HP Refrigeration Systems
Carbon Dioxide Storage Unit
Electrical-Instrument Piping

DRN BY: J.W.W.
CKD BY:

SCALE: NONE
DATE: 5.24.2013

NO.	DESCRIPTION	DATE

REVISIONS

CAR-953-24